

Anchorage Amateur Radio Club

Next Meeting October 1st

October Program

Craig Bledsoe, KL4E

Doing Dayton – You're almost too late!

John Bury, KL7QZ

The program for October will be presented by John Bury, KL7QZ. John was first licensed 50 years ago in 1954 as WN7BAD in Phoenix. His elmers where his Dad, Walt/ WA7WOX(SK) and neighbor **Barry Goldwater K7UGA** (SK). John, XYL Susan and daughters arrived in Alaska 1966 to teach throughout Alaska in "Bush" villages where there was no telephones of any kind, nor TV nor commercial radio except Radio Moscow. But this was no problem since "QZ" always had his Ham station then licensed as KL7GBN. Pre-VE days he gave many novice exams throughout Bush Alaska in the 60's and 70's. He is now retired from being a University Professor and dean, a Congregational minister and author.

+++++



2004 Elections

Election Committee will present a slate of candidates for officer and board positions via ballot after the 1st of October. Ballots will be mailed to all eligible voters and all votes must be received by the Club Secretary NLT October 31st.

In additional to those running for election, all members are encouraged to considered becoming involved in the club through choosing to be active in club activities and in emergency services. Please attend the board meetings and become an unelected board member where your voice is better heard.

You may find that becoming more active with AARC activities will enhance your enjoyment of Amateur Radio. As your contributions to the club and to the community increase you will begin to realize that you can make a difference in our hobby and our town.

Jim Larsen, AL7FS
President, AARC



KYES/KL7AA ARRL Project by: Jesse L. Jones, KL1RK

Those of you who were able to attend the September club meeting had the joy of listening to me discuss the details of this project. For those of you who weren't there (or, like me have a really really bad memory) this is the printed copy of an unscripted speech.

As an employee of KYES TV-5 I wound up with a letter on my desk addressed to "Program Manager/News Director." Being an UPN affiliate station we have no news department. However, this letter being from the ARRL, was lucky enough to be directed to me. To make a long story shorter, the ARRL is hosting a contest which highlights Amateur Radio and its public service and community involvement.

The General Manager at KYES has given me **permission to produce a 30 minute documentary on the AARC**. Shooting begun the middle of August and is scheduled to conclude the middle of October. Production should begin the end of October or the first of November with the show airing on channel 5 sometime the end of November.

If you have any home movies or photos of hams doing their thing (communications) at public service events (Iditarod, Fur Rondy, Jr. Iditarod, etc.) PLEASE, PLEASE, PLEASE email me... KL1RK@yahoo.com and let me know. All comments and suggestions are also welcome and will be taken into consideration. The spotlight is on us, let's take advantage of this opportunity and put our best foot forward!



<http://www.Elecraft.com>

Living with a KX1 John Hendricks, AL7OK

I have had a K1 from Elecraft for several years and have enjoyed it. At this years Dayton hamfest the building bug bit again (oh, the smell of solder) and I purchased a KX1. This article will serve as a comparison with a K1 and my experiences with the KX1. Impressions have been substituted for bench measured results in this article and are based on operating the KX1 two or three lunch hours a week for the last two months and the K1 for two years.

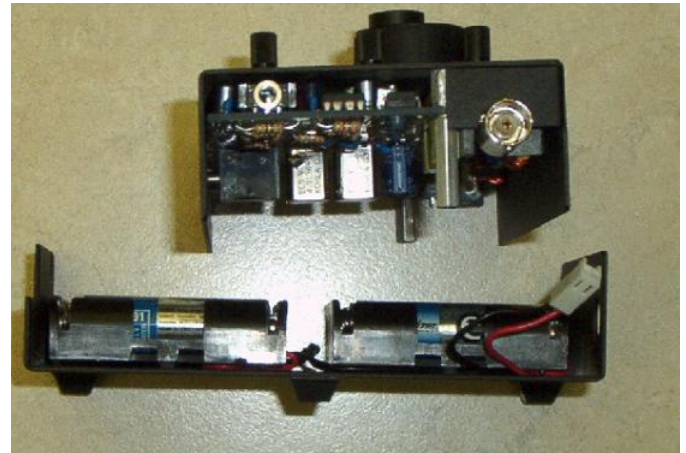


DIFFICULTY to Build KX1 and K1 – I would rate both kits as difficult enough to not be recommended as a first kit because of the soldering skills required. The KX1 requires a lot of care and patience in placing components and clipping leads close to the circuit board so it can all fit together when completed. As shown in the following photo it just fits together with a tolerance of less than 1/16". Elecraft technical services, as always, helped with the only problem that I had, a microprocessor that came un-programmed from the factory.

WEIGHT for each unit with key, battery, ear phones and built-in antenna tuner, KX1 – 14.3 oz, K1 – 2lb 5 oz.
Comment - KX1 is for use outdoors away from the home environment. If you are a backpacker this weight difference is significant. The complete station including radio, key, phones,

28 ft antenna, dental floss for raising the antenna, begs for holding rock throwing weights, a 16 ft counterpoise, extra batteries and a 1.1lb waterproof carrying case (as shown below) is only 2lb 6.5oz.

RX COVERAGE for the KX1 with 30 meter module is 5.0 to 9.5 (40Meter), 8 to 12.5 (30Meter) and 12.0 to 16 (20Meter) and for the K1 with a 4 band module 7.0 to 7.11 (40Meter), 10.08 to 10.19 (30Meter), 13.99 to 14.10 (20Meter), 20.0 to 21.11 (15 Meter). **Comment** – The full band coverage of the KX-1 is nice, allowing the checking of WWV, CHU and other propagation indicating stations.



TUNING for the KX1 – Steppy (100 Hz per detent) or is very slow (10 Hz per detent) and for the K1 – Smooth tuning but not the range of the KX1. **Comment** – After two months it still bothers me hear the tone stepping in pitch as I tune across a CW signal. A tuning rate in between the two options could satisfy the perceived problem and still tune fast enough.

ANTENNA TUNER KX1 – Switched L network with 3 inductors and 3 capacitors, K1 – 4 inductors and 5 capacitors are used in the antenna tuner. **Comment** – The K1 antenna tuner will match down to 1.1 VSWR where the KX1 may get the VSWR down to only a 1.8, which is still ok. The K1 seems to match some loads that the KX1 cannot, however over my limited experience the difference does not appear to be that great. The manual antenna tuning available in the KX1 is also very useful for out-of-band shortwave stations.

TX POWER Output KX1 - 1.2 watts on 6 AA cells, 3.5 watts on 13.8 volts K1- 3 watts on 8 AA cells, 5.5 watts on 13.8 volts. **Comment** – Power output difference should not be significant in making QRP contacts.

RECEIVER Comment Side by side comparisons on the same antenna could not detect any difference at all in receiving weak signals. KX1 appeared to overload (even with the RF gain turned down) when I could use the attenuator on the K1 to reduce distortion.

AUDIO OUTPUT Comment The very sensitive earphones recommended by Elecraft for the KX1 are a necessity and just loud enough at full volume for my poor hearing where the K1 has more than enough audio for any situation.

KEY FEEL KX1 – Elecraft’s KXPD1 key designed for the KX1 works but does not have a good solid feel and can not be adjusted. On my K1 I use a Palm Mini Paddle sold by Milestone Technologies that has a good solid feel that can be adjusted.

DISPLAY KX1’s LED display will operate in the cold and darkness. K1 has a LCD display that operates poorly in the cold and requires external lighting in the dark.

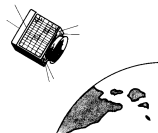


SUMMARY I will keep the KX1 even with its limitations because I am willing to give up some of the features such as the noise blander to keep the weight to a minimum. I would like to see an option for 25 Hz tuning steps with a display only to the nearest 100 Hz, optional 80-Meter coverage (even if the antenna tuner must be removed) and a better key or a Mini Paddle version for the KX1.

Low Earth Orbit (LEO) Net

The **9 AM LEO Road and Weather Group** has moved to the **147.27/87 WL7CVG Mt. Susitna repeater** with a + split and **103.5 Hz tone**. Remember to check your tone encode and make sure it is set to 103.5 Hz as that is the only tone the 147.27 WL7CVG repeater will now accept.

Thank you,
The Gahleo Group Moderator
Dan O'Barr, KL7DR
Wasilla, AK
KL7DR@ARRL.net



(Unapproved)

Anchorage Amateur Radio Club Board Meeting, September 21, 2004

The AARC Board met Tuesday, September 21, 2004 at Hope Community Resources Administrative Building, 540 West International Airport Road. In attendance were President Jim Larsen, AL7FS, Vice President Randy Vallee, KL7Z, Treasurer Steve Jensen, KL0VZ and Secretary Philip Mannie, KL0QW. Also in attendance were Directors Richard Block, KL7RLB, Lil Marvin, NL7DL, Jim Wiley, KL7CC, Steve Gehring, NL7W, George Wilkinson, KL1JJ, Mike O'Keefe, KL7MD, Judi Ramage, WL7DX and Jim Tvrdy, KL7CDG. Visitors Jesse Jones, KL1RK, Gordon Nightingale, KL7GN, Doug Stowers, WL7CDC and Fielder Dowding, KL7FHX were also present.

A quorum being present, Jim Larsen called the meeting to order at 7:00 PM.

Visitors' Forum

Jesse Jones reported on the documentary he is preparing. He is seeking footage or still images of Amateur Radio participation in Fur Rendezvous and the Iditarod. His contact information: kl1rk@yahoo.com, 770-3928.

Reports

Secretary

Minutes from the August 17, 2004 Board meeting were accepted.

Election Committee

Philip Mannie reported for the Election Committee Chair that election ballots had been submitted to the President. Jim Larsen reported that the ballots would be printed, addressed and mailed by the newsletter publisher by October 1, 2004.

Treasurer

Steve Jensen reported that taxes had been prepaid on some \$15,000 restaurant income form last year and that accounts for restaurant income were being prepared. He went on to state that no income had been received so far from the restaurant this year. \$1,223 from last month's gaming income has been deposited.

Steve also mentioned that Heather Hasper, KL7SP, was working with him in matters relating to the treasury.

Accounting for payments to the VE software developer from non-gaming income is not yet complete.

Richard Block added an opinion that non-gaming income expended to further our essential Club functions was not taxable. Richard and Steve will meet to discuss fine-tuning our accounting software to reflect both gaming and non-gaming income and expenditures including written reports to reflect sources and use of funds.

Jim Larsen reported that he and Steve would meet this month as the Finance Committee to review Club investments.

Gaming

There was no formal report.

ARES

Philip Mannie reported on upcoming ARES activities, including Anchorage EOC training October 9, and JOTA, October 16.

VEC

Jim Wiley reported that VEC operations were proceeding as usual.

Old Business

State Fair Special Event Station Jim Larsen reported on the State Fair Special Event Station; Corliss Kimmel, AL1G accounted 1,607 contacts including 64 countries and WAS.

State Fair Wrap-Up

George Wilkinson reported on the State Fair operation. Jim Larsen commented that the effort was very worthwhile. Judi Ramage suggested that it was a success and recommends that the Club participate and expand its activities next year. George went on to say that next year's expenses should be less and commented on the large number of expired licensees attracted to our display. Judi Ramage moved to participate in the 2005 State Fair, which motion was approved by the Board.

Susitna Repeater

Jim Wiley reported that the replacement equipment was successfully installed, thanks to John Lynn, KL7CY, and Steve Gehring, NL7W, but that the standby UHF system still has problems. He proposed that one of the Grubstake repeaters be installed in its place while the local Kenwood shop repairs the original under warranty. Jeremy Lansman, KYES, and Procom will cooperate in the transportation of the replacement units. The Board instructed Wiley to proceed with the replacement.

The AARC Board thanks all involved with the planning and installation of this important and useful installation.

Grubstake Repeater

Jim Wiley went on to report that most of the Grubstake repeater hardware has been delivered. He will begin rack-mounting the equipment. Roughly \$500-600 in additional equipment is needed, but he anticipates that Arctic Com will be able to place the hardware by November.

Richard Block inquired about the arrangement with Arctic Com; Wiley reported that a power and space agreement was in place at \$100/month to become active when the equipment is installed. Wiley also agreed to prepare a newsletter article about the repeaters.

Jim Wiley also reported on a trip to Talkeetna where he investigated lapses in repeater coverage. He suggested that range extenders could be established to fill communication gaps.

Alternate Gaming Coordinator

Jim Larsen reported that a name has been suggested to fill this position.

501C3 Filing

Jim Larsen and Steve Jensen met with the Club attorney and they anticipate her response by September 30. She suggested that we should file our newly approved corporate documents with the state as soon as possible.

Garage Landlord Discussions

Jim Larsen met with the Garage owner and agreed that electric power and light issues needed to be resolved, along with plans for covering the trailer storage areas. George Wilkinson is heading up this project for the Club and will review plans. Jim Wiley mentioned that the wall between his area and the Club's still need to be planned and constructed. Jim Larsen and George Wilkinson will meet to discuss the details.

Generator Electrical Safety

Philip Mannie was directed to head a committee to review and recommend necessary upgrades or possible replacement of the unimproved AARC power/tower trailer. Jim Wiley, John Lynn and Steve Gehring were appointed to the committee.

Generator Cover

Jim Wiley reported that the generator cover for the unimproved power/tower trailer remained incomplete and that volunteers were needed to complete the job. He estimated that about 20 more hours' work would be required.

VE Software

Jim Wiley reported that he had met with the programmer to discuss needed changes to the software as well as a maintenance contract. The maintenance contract was expected to involve roughly 2 hours monthly at \$60/hour. He also reported that the NCVEC and FCC were happy with the software and that work continues on its development and implementation.

Honors

Jim Larsen proposed that an honorary Club Life Membership be granted to two of our members. These are to be presented at the October General Meeting. The motion passed.

KL7AA Call Use Approvals

The Board approved the use of the KL7AA call for JOTA, October 16, 2004. Logs will be submitted to the Trustee.

Repeater Spares

Jim Wiley suggested that spare parts be procured for the Susitna and Grubstake repeaters. The Board directed Wiley to compile a list and cost for Board approval.

MARA Grant

The Board directed Jim Larsen to ascertain the status of a grant of \$887 in 2001. Jim will report back to the Board.

Pt. MacKenzie Tower

It has been reported to the Board that antennae and heliax will need to be removed from the tower. John Lynn has been directed to head up this project.

2004 Christmas Party

Jim Larsen asked the Board if changes were desired to the annual Christmas Party or if reservations should be made at the Royal Fork South for December 10, 2004. Judi Ramage was directed to secure reservations if possible.

December Club Meeting

The Board has elected to hold a General Membership Meeting Friday, December 3, 2004.

Garage Tower

The erection of an antenna tower at the CCV garage was discussed. Richard Block suggested that we should have a compelling reason to start a new capital project at this time. Jim Wiley mentioned that the code practice repeater might be located at the garage. Jim Larsen tabled the matter for a later date.

Connex Cleanup

Jim Larsen is seeking volunteers to assist in the cleanup of the Club connex located at the Airport Heights Fire Station. The project is tentatively scheduled for a weekend day. Send email to jimlarsen2002@alaska.net to volunteer.

New Business

2005-2006 Operating Budget Steve Jensen reminded the Board that a 2005-2006 operating budget needs Board approval for submission to the membership at the November 2004 Meeting. Steve submitted a proposed operating budget. Randy Valle moved to accept, subject to amendment at the October Board meeting. The proposal passed.

There being no further business, the meeting was adjourned at 9:58 PM.

Respectfully submitted by Philip Mannie, Secretary.

Alaska QRP Club meets the Third Friday of every month – 7:00 PM (Some show for dinner at 6PM): Hams with QRP (low power under 5 watts) and Homebrewing interests meet for a social meeting monthly. Meet at Dennys (in the back room) on DeBarr near Bragaw. Contact is Jim Larsen, AL7FS, JimLarsen2002@alaska.net or 345-3190.



QRP Mail Reflector

If you like QRP or low power news, it is real simple to sign up for the new QRP-L list.

Step #1: First point your browser to(click the link below):

<http://mailman.qth.net/mailman/listinfo/qrp-l>

Step #2: On the web page you will see a section titled "Subscribing to QRP-L". Enter your e-mail address in the "Your email address" entry box.

Step #3: Pick a password for your account and enter it in the box marked "Pick a password" and then enter the same password in the box marked "Reenter password to confirm". This password will be used to change your settings on the list such as digest mode, etc.

Step #4: If you would like the e-mails in daily digest form click yes on the line marked "Would you like to receive list mail batched in a daily digest?"

Step #5: Click on the "Subscribe" button below the information that you just entered.

Now, keep in mind that you are not instantly subscribed to the list. Jim Lowman (the list owner/moderator/guy in charge) has to approve you. If your e-mail address does not have an amateur callsign in it, he will most likely ask for this information before approving you. This is an effort to block Spam Mail so be patient. After you send your info to Jim, you'll get access...

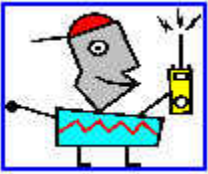
Hope this helps and I'm looking forward to seeing all of you on the QRP-L mail reflector.

Jim Larsen, AL7FS/QRP



KL7AA Mail Reflector

Subscribing to the KL7AA Mail Reflector is about the same as for the QRP list. This is the list used to send notices via email to club members and other hams in the southcentral Alaska area. Just go to: <http://mailman.qth.net/mailman/listinfo/kl7aa> and follow the steps.



Camping/Hiking with VHF

by: Jesse L. Jones KL1RK

With the technology of today making radios so much smaller and lighter than yesterday's models, it is now easier than ever to take a QRP rig into the wild. While Jim, AL7FS, will say HF QRP is the way to go, I have had remarkable experience with 2-meter VHF and more specifically IRLP (147.21/.81 MHz, 97.4 Hz PL).

A recent 3-day expedition in the Chugach found me hiking alone with just a 2-meter HT. In the evenings I would set up camp and immediately turn on my radio. Almost instantly I was sharing the details of my adventures with KC2EGP and WD8CQB (Jim and Tom in Rochester, New York). Within minutes there were a half dozen hams in the U.S., Canada and England listening to my stories and asking questions about the Alaskan Frontier. This routine continued through the duration of my trip, at the same time and same reflector each evening until I was safely home. To this day these two guys ask me when and where I'm going on my next trip and if I'll have my radio with me.

These contacts not only provided company for me on my solo trek, but it also gave a few lonely guys in New York dreams of Alaskan adventures. The next time you are camping, take a 2-meter HT with you and see who you are able to reach.

KL1RK

+++++



Mount Susitna Repeater

The Anchorage Amateur Radio Club announces that the all new Mount Susitna Repeater is up and operating. This major effort by AARC is for the benefit of all southcentral amateur radio operators and we hope it will also significantly add to the emergency capabilities in the area.

The frequencies are as follows:

147.27+ with 103.5 tone
and
443.30+ with 103.5 tone

The system cross link between the VHF and UHF repeaters and they both come up no matter which side you use to enter the system.

The Susitna system was designed and built up by **Jim Wiley, KL7CC**, and was installed on the mountain August 31st by

John Lynn, KL7CY, and **Steve Gehring, NL7W**. Mega-thanks to them for their efforts and their time. It is through volunteer efforts such as these men have provided that AARC can do what it does for amateur radio and the community. If you hear these men on the air, please tell them thank you.

Also this entire project would not be possible without the support of **KYES, Channel 5, and ProComm**. Their support of amateur radio is very much appreciated.

73, Jim Larsen, AL7FS
President, AARC

+++++

Emergency Response Communicators (ERC) Net

Dan O'Barr, KL7DR reports that there are some new nets on Sunday nights. The ERC Net is designed to help hams get on the air more often, stay familiar with their equipment, and get to know their fellow hams in the area so that they can work together better in an emergency. Check it out.

Sunday, 7:30PM on 147.27 Repeater (103.5 tone)
Sunday, 8:30PM on 3.880 MHz HF SSB

+++++

N2CQ QRP CONTEST CALENDAR

October 2004

Adventure Radio Spartan Sprint (CW) *** QRP CONTEST!
Oct 5, 0100z to 0300z (Monday evening in US/Canada)
Rules: <http://www.arsqrp.com/>

FISTS Fall Sprint (CW) ... QRP Category
Oct 09, 1700z to 2100z
Rules: <http://www.fists.org/sprints.html>

RUN FOR THE BACON (CW) *** QRP CONTEST! ***
Oct 18, 0100z to 0300z
Rules: <http://fpqrp.com/fpqrpapun.html>

QRP ARCI Fall QSO Party (CW) *** QRP Contest ***
Oct 23, 1200z to Oct 24, 2400z
Rules: <http://2hams.net/ARCI/index.htm>

COAST TO COAST FISTS Clubs QSO Party ... QRP
Category Oct 24, 0000z to 2400z
Rules: http://www.tomochka.com/k7fff/fnw_c2c04.html

Zombie Shuffle (CW) *** QRP CONTEST ***
Oct 29, Local Sundown to Local Midnight (Any 4 hour period)
Rules: <http://home.netcom.com/~jmedley/zrules.htm>

CQ WW DX Contest (SSB) ... QRP Category
Oct 30, 0000z to Oct 31, 2400z
Rules: <http://www.cqww.com/>

Ken Newman - N2CQ N2CQ@ARRL.NET



ARES Contact Information

District Emergency Coordinator:
Phil Mannie, KL0QW
Contact via Pager: 268-7609
Email via kl0qw@alaska.net

Additional information on ARES can be found at the following URL:

<http://www.qsl.net/aresalaska/>

+++++

Alaska CW Net (ACWN)

Alaska CW Net (ACWN) still maintains a daily traffic watch on 3540 7042 and 14050 Khz....from Fairbanks. ACWN is a registered ARRL Section Net in Alaska.



Starting at about 0100Z every evening, AL7N in Fairbanks maintains traffic watch simultaneously and as continuously as possible on all three frequencies, until the following morning about 1600Z. Also guards 2 meters 144.100 Mhz (CW mode) in Fairbanks area.

Weekends, monitor continuously whenever in the house where can hear the speakers, day and night.

Saturday schedules with K6KPH on 14050 at or after 1800Z, whenever we can get thru depending on 20 meter band condx and contest QRM. K6KPH is relay to lower 48 NTS; closes down about 0100Z.

ACWN encourages other operators around the state of Alaska to participate and will gladly exchange WX and signal reports if nothing else...just to keep the pipe open. Will handle legal 3rd party written traffic to anywhere, even to e-mail addresses if specified. Working CW speed is regulated to suit the operator receiving...

If other nets have traffic they can't move, send 'em down to ACWN! "Listeners" on the ACWN watch frequencies probably won't hear anything unless they call with traffic or just call for a signal check/report which will be gladly supplied to anyone if we can hear 'em at all.

Ed Trump, AL7N ACWN Net Manager

Alaska State Fair Special Events Station Results

Corliss, AL1G, ran KL7AA as a special events station for the entire duration of the State Fair. She has designed special certificates and her QSL manager is handling all QSLs and certificates. In her own words, "Final figures for the special event:

1607 Q's
64 Countries (2/3 of a DXCC award)
Worked All States (WAS)

I had a great time! AC7DX (QSL manager) says the QSLs started rolling in on Tuesday :-)"

Corliss - AL1G

+++++

LEO Meeting Announcement – 9 October

Our first fall meeting will be held on Saturday, October 9th at the Szechuan Restaurant, 11751 Business Blvd, Eagle River. 694-9168. This is our regular restaurant, and it is located just around the corner from the Eagle River Post Office. Please come at 11:30 so that you can order and receive your lunch by noon when the first speaker starts.

Our Speakers will be:

- Dale Hershberger – KL7XJ on "The Challenger Learning Center of Alaska (CLCA)" The CLCA is our resident NASA sponsored space education program for Alaska. This will be not only an exciting program for Hams but also for families, including kids grades 7 and up.
- Frank Hurlbut – KL7FH on "Contesting: or are contesters really a different species?" Frank is one the world's great contesters (along with XYL AL1G/Corliss that is). He will share some of the latest developments and some "Hints and Kinks" and the all around weirdness of contesting.

LEO Weather and Road Report Net. M-F, 9 AM+. 147.27/87 @103.5 tone.

+++++

Frequently Asked Questions About Amateur Radio and Broadband Over Powerline (BPL / PLT)

An excellent resource for understanding BPL can be found at:

<http://www.qrpis.org/~k3ng/bpl.html>

and also at:

<http://www.arrl.org/tis/info/HTML/plc/>

2005 Election Candidate Information

President: Jim Larsen, AL7FS

Jim was originally licensed as WN0LPK in March 1965 (WA0LPK from 1965-1985). Jim is currently the President of AARC and has served in the past as Vice President and Board member and has belonged to AARC since 1978. An active ham, he has twice been a radio operator in Shaktoolik, Alaska for the Iditarod Dog Sled Race and was the Race Communications Director in 1987. For a while Jim was a Moonbounce (EME) fanatic and earned 2 meter WAS #36. Even then he operated in QRP style, using only about 600 watts output. Jim has participated in HF from 160-10 meters (CW and SSB), packet, satellite, lots of 6 meters from Alaska, UHF, VHF, ATV, DX, QRP-L, QRP and QRPp. Jim is active in ARCI QRP contests and many others throughout the year. He helps puts the KL7Y monster station on the air QRP several times per year to help others reach Alaska. He has written articles published in the QRP Quarterly, the Iowa QRP Newsletter, NorCal QRPp and several other newsletters in Alaska and Maryland. He is currently the editor of the AARC newsletter (since Oct 2002) Some of these articles may be read on his QRP web site at <http://www.AL7FS.us/> Jim has lectured on QRP to Alaska ham clubs and at Alaska flea markets. Of all his interests, QRP has lasted the longest and the strongest - 1970 to 2000. Jim can be reached at jjmlarsen2002@alaska.net.

Vice President: Judi Ramage, WL7DX

I am a 32 year resident of Alaska and have been a ham for 12 years. I have served for the past two years as a one-year board member. During that time, I have learned a lot...mostly how involved the hams are in our community. I'd like to see the club grow by reaching out to new hams. There are so many new applications we can share and utilize. I'd like to continue to learn and help the club make an even larger contribution to our city and our state through our involvement in community events, both fun and serious.

Treasurer: Heather C. Hasper, KL7SP :

I have been an amateur operator since 1995. I have previously served as the President of the San Jose State Amateur Radio Club, W6YL while pursuing a BS in Aviation Operations. I then was active with W6BHZ, the Cal Poly Amateur Radio Club and on to the Stanford Amateur Radio Club, W6YX while completing a PhD in Aeronautics. I have lived in Alaska since 2001.

I am a current volunteer with several non-profit organizations where amateur radio is utilized including the American Red Cross of Alaska Amateur Radio Club, KL7ARC, CAP, Alaska DMAT team and Anchorage ARES. I am also a current notary public with the State of Alaska.

At this time I have volunteered to be the Treasurer of the Anchorage Amateur Radio Club for two primary reasons. The first reason is because no one else wants the job. I have always been someone willing to take on a challenge. The second reason is to continue to maintain the financial responsibility that has recently been accomplished by the financial officers of the club. The last two treasurers have worked hard to re-

establish the KL7AA, AARC credit and reputation and I would hope to continue to assist in the organization and planning efforts as we establish our club as an official non-profit 501(c)3 organization. I offer my time, background and computer resources and skills to continue to advise the members of the AARC of our financial status and to continue to organize the responsibilities of the position of Treasurer so that other members will feel welcomed to participate in the planning and decision making process.

Secretary: Fielder George Dowding, KL7FHX

Class: Extra First Licensed: 1964, Novice: WL7ALV
Interests: HF, QRP, CW Activity: VHF (Sigh) AARC: Life member since about 1976 Former Position: Treasurer (about 1982 ?)

I am willing to server as Secretary. I am in agreement generally with the direction the club is heading. **1.** Strong support for the Amateur Radio Service mission as defined in federal law and the rules and regulations of the FCC. a. ARES (and RACES ?) b. Education and Training and, c. Community involvement. **2.** Strong support for bringing in new Hams. a. Local VE testing. b. Remote testing development, and c. Participation (J.Wiley) at national level. **3.** Strong support for the ARRL a. See 1 and 2 above as related to scheduled nets. b. Regular monthly meetings with great effort to have interesting programs on a wide range of subjects. c. Participation in ARRL sponsored on-air activities. d. See 1 above as related to providing communications for various events. **4.** Support for advancement of the art and science of Amateur Radio.

There are a number of activities I know about but do not participate in for one reason or another. I am greatly impressed how these various interests work together within the perview of the club to demonstrate the Amateur Radio Service at its best. Here are some acronyms that I remember: ATV, ARPS, LEO, PACKET. There are a bunch more and I probably have a couple of these wrong. Then there are the antenna experimenters and QRP operators.

Now then, I will need support in the form of a laptop. I do have a good laser printer and Internet connection. This computer will form part of the ARES, community, and on-air activities as well as permit easy transfer of the Secretary's files to my replacement should I be elected.

Please note, I am not asking for a personal computer but for support from the club so I can perform the duties of Secretary.

Three year Board: Frank Pratt, KL7RX

One year Board: Mike Wood, KL1RO

Hello, my name is Mike Wood. I am running for a one year Board Member position. Let me tell you a little about myself. I was born in Lakeland Florida, yet my family moved to the small town of Myrtle Point, Oregon when I was a baby, so I consider it my hometown. After high school I attended

college in Portland, Oregon for two years where I met my wife, Angela, who was born here in Alaska. We moved to Anchorage in the summer of 1993 and have never looked back. We will be celebrating our 13th anniversary in October and have two daughters, eight year old Jessica, and four year old Sarah.

For over nine years I have worked for Alaska Airlines in the cargo warehouse. During that time I have served with the Machinists Union Local 601 as a Trustee for three years and as Treasurer for another two and a half years. I also served on the auditing committee for the District lodge during my time as local Treasurer. I have served as a Ramp Lead (crew chief) for over 6 years and have a reputation for bringing the concerns of the work group before management, no matter how unpopular those concerns may be.

My interests include computers, reading, fishing, hiking, geocaching, and of course, amateur radio. I received my Technician license in July of 2004 and am currently working on my General.

I know I am pretty new to ham radio, but I hope that you will consider me for board member. I am honest, sincere, and willing to represent the wishes of the membership to the best of my ability.

Steve Gehring, NL7W

Steve has recently returned to Alaska after a 3-year journey to the lower 48. While an Alaskan in the Nineties, he was an AARC member for almost seven years as NT0J and KL7DC. For a few of those years, he was a net control for both the Bush Net and the Motley Group.

Steve's career and hobbies have always revolved around radio, electronics and telecommunications systems. While a teenager in the Eighties, he earned his Novice through Extra Class licenses. Steve has always enjoyed the magic of radio. He has explored various aspects of the hobby over the years, such as HF/UHF SSB, CW, FM and data communications. When time and circumstances allow, he thoroughly enjoys HF contesting on phone and CW.

Besides filling a recent board member's vacant seat, Steve would continue to enjoy serving AARC as a younger board member, but one with long experience as a radio amateur; 23 years. He hopes to serve with distinction.

TJ Sheffield, KL7TS

Hello! I'm running for the Anchorage Amateur Radio Club (AARC) Board of Directors and I would appreciate your vote.

I'm the guy who usually talks about Public Service at the AARC meetings. I'm an Amateur Extra operator who was first licensed in 1968. I've served two terms as Activities Manager and participate in many Public Service events. My amateur radio experience includes:

Iditarod Trail Sled Dog Race

First Amateur Satellite Communications Station (PACSAT), Rohn Checkpoint, KL5T operator

Checkpoint volunteer in the last "all HF" trail communications effort, Kaltag Checkpoint, 1993

Organized the Iditarod Radio School - licensed 15 new hams, including the Iditarod Air Force Chief Pilot

Iditarod Trail Communications Coordinator, 1994 - 1998. Supervised approximately 130 volunteers each year

Amateur Radio Emergency Service (ARES)

Planning Committee member

Slide-show host, AARC meetings

Team-teacher with KL7CY at "radio school"

Communications Volunteer

Volunteer Examiner (VE)

Assistant Section Manager (ASM)

Field Day Co-Chairman for 2004

Satellite Operator at Field Day 2004

Alternative Power Operator at Field Day 2004

First use of amateur radio at the Six Mile Paddlefest

First use of amateur radio at the Friends of Pets Dog Jog

First use of amateur radio (APRS) at the Alaska 10K

Classic

First use of amateur radio at the Anchorage Daily News

Heart Run

First use of amateur radio at the Eagle River Classic Sprint

Dog races

First use of amateur radio at the World Mountain Running

Trophy, Mt. Alyeska

First use of amateur radio in an HH-60 Blackhawk helicopter, 210th RQS, Crow Pass Crossing

Contest Activity

ARRL SweepStakes "clean sweep" 1997 and 1999

CQWW DX Contest, All Band QRP CW winner, Alaska Division, 1998

Philip Mannie, KL0QW

My name is Philip Mannie, KL0QW, and I am standing for a one year term directorship. I've been a resident of Anchorage for over twenty years and an amateur licensee since 1998, currently holding an Extra class license. It has been my privilege to serve as Secretary to the AARC for the past two years and ARES District 7 Emergency Coordinator since 2003.

I believe that our club has some unique opportunities as well as some serious challenges to face in the near future. We have the resources to do much for the Amateur Radio Service and for our community. What we actually accomplish, and to a large extent, the future of our hobby, depends upon what we do as individual licensees and club members. In my opinion, recent Boards have shown vision and wisdom in the direction they have led us. I believe that I share this vision, if not the wisdom, and on that basis I am willing to help with the hard work of making that vision manifest.

While I hope that you will vote for me, I believe that all of the candidates are committed and capable people. Many of them

are more qualified than I am and I believe all of them will do a good job in the office they've elected to stand for. Whomever you vote for, the more important thing is your active participation. We can't expect the club officers and directors to do it alone; there simply aren't enough of them to do all that needs to be done. We have many projects ongoing; choose one or two and lend a hand. Volunteer for a public service event or two (or more). Get involved with ARES; ARES needs trained and motivated communicators. Upgrade your license. Take a CCE course from ARRL. It's your choice, but please choose something. The most important choice you make may not be for a particular candidate, but rather to invest those most valuable resources, your time and effort, into our hobby and community.

Steve Jensen, KL0VZ

Carl London, N5XLI

David Stevens, KL7EB

+++++



Technical Specifications New Mount Susitna Repeater System

VHF input 147.870, repeater output 147.270
CTCSS tone required, 103.5 Hz (same as before)

This system also features a UHF side, operating on 443.300, + 5 MHz standard shift, CTCSS 103.5 Hz. You transmit on to the repeater on 448.300, and listen on 443.300.

The UHF and VHF sides are cross-linked. You can transmit on either VHF or UHF, and be heard on both sides simultaneously. This also means that if you have a dual-band set, you can monitor yourself to see how your signal is doing through the repeater. Remember to keep your mic and speaker separated and the volume low or you will get feedback howling.

Transmit power for both bands is 10 watts to the antenna.

+++++

Swap Meet Held in Anchorage

Boniface Bingo was the site of the Anchorage Swap meet this past month. Those who attended had a great time and many walked away with new "treasures" for their homes and ham shacks. The story in Pictures:



Treasures



More treasures



Jim Wiley, KL7CC and Randy Vallee, KL7Z



ARES

Training at EOC for all members on October 9th !!

The monthly ARES meeting for October will be *Saturday October 9, 0930-1200* at the Anchorage Emergency Operations Center, 1309 E St. **We will be trained in the WebEOC software currently in use at AEOC and get a general orientation to AEOC operations.**

I encourage all ARES members to attend this session. While it is not on our usual third Saturday (more on that below) it is essential that as many ARES folks as possible attend. The software is not complex, but training is essential as you may wind up the person on point and be required to help others in the event of an emergency.

Our usual meeting day, Saturday October 16, will be devoted to the Jamboree on the Air, a scouting event tentatively planned for the National Guard Armory at Ft. Rich. We'll not only be getting Scouts on the air, but testing both AARC beam antennae, som we could use your help. More as it develops...

Phil Mannie
KLOQW
ARES District 7 Emergency Coordinator

+=====+



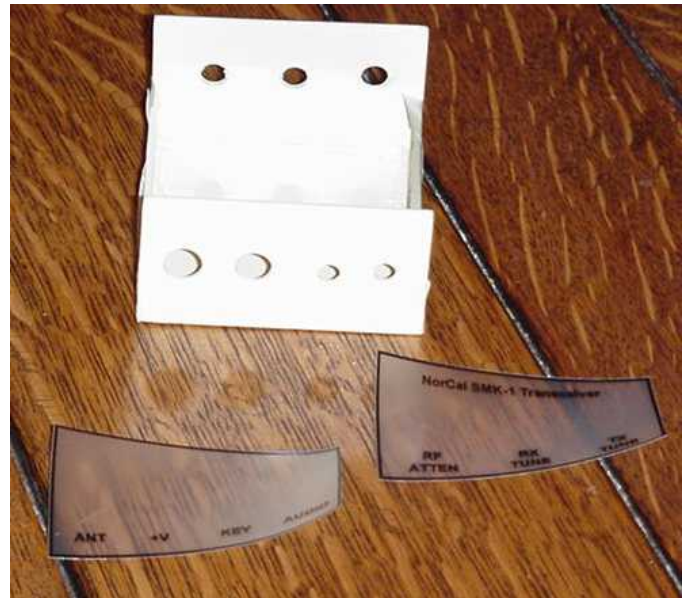
Front and Rear Panel Templates
One man's Technique
Karl Heimbach, W5QJ

I recently received this information from Karl and thought it was so good that I asked for his permission to add it into the club newsletter. I hope you also enjoy it. al7fs

This technique will allow you to add high quality panels to your homebrew projects. The paper I used is made by Kodak and is used to print digital photos. You can get it at Walmart, Target, or via the internet. It is a glossy paper that is formulated to take ink from inkjet printers. It is fairly stiff in construction and has a hard shiny surface.



I printed the templates on that paper and after they dried, I trimmed them to fit the front and back panels. I then used push pins to afix the templates to a piece of cardboard (be sure to place the push pins in the areas that you are going to trim).



I used a photo matte spray made by Krylon and sold at Hobby Lobby, Michaels, and other craft stores to spray a couple of light coats over the templates. This spray is used by photographers to spray photographs that have been matted. It is clear and keeps the lettering from rubbing off if you should touch it.



After the matting spray dried, I turned the front and rear templates over and sprayed them with a couple of light coats of Duro brand spray adhesive (also at Walmart). At the same time, I sprayed two light coats on the front and rear panels. After they dried for about 5 minutes, I very carefully stuck them together. Be sure that you have them aligned properly, 'cause after they stick, you can't get them apart.



Leave them alone for about 15 minutes, and then get a rag with a little paint thinner on it and very carefully wipe any overspray of the adhesive off. Be sure not to get the thinner on the edge of the labels. After a half hour, take an Exacto knife with a new blade and from the back side of the panels, cut out the holes.

When you are finished, the edges of the panels may need dressing up. Use a very fine file (9" second cut mill bastard is what I used) to bevel and dress up the edges. The file needs to be sharp or it will fray the photo paper.

When you are happy with the trimming, just reassemble.

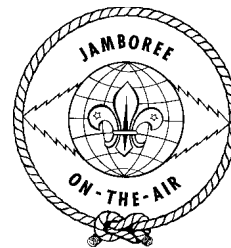
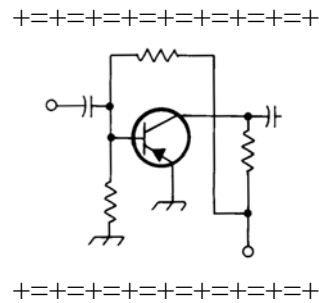
Sounds like a lot of stuff, but really very easy.

You can also use transparency film as used for overheads as was done on the SMK-1. It works far better with a laser jet printer than an ink jet type.

On the NC-20, since I was using transparency film meant for a laser jet and printing on it with an ink jet, the lettering was not quite as sharp as I would have liked. That is why I used the photo stock instead for that project.

If you use transparency film, you'll need to paint the panels before applying the film. Otherwise, the bare aluminum will show through.

Karl - W5QJ



**Boy Scouts
Jamboree on the Air
October 16-17**

The Amateur Radio Emergency Service (ARES) will be participating in Jamboree on the Air (JOTA) this year as part of its training exercises. JOTA is held the third weekend in October of each year. JOTA takes place starting Saturday at 0001 hours local time to Sunday, 2359 hours local time, though some activity continues over from Friday to Monday to take advantage of long distance (DX) time differences. Hams in the area are encouraged to participate this year and can obtain more details by contacting Phil Mannie, KL0QW, KL0QW@alaska.net or via pager at 268 7609.

JOTA is an annual event in which Boy and Girl Scouts and Guides from all over the world speak to

each other by means of Amateur (ham) Radio. Scouting experiences are exchanged and ideas are shared via radio waves. Since 1958 when the first Jamboree-on-the-Air was held, millions of Scouts have met each other through this event. Many contacts made during JOTA have resulted in pen pals and links between Scout troops that have lasted many years.

Each year more than 400,000 Scouts and Guides "get together" over the airwaves for the annual Jamboree-on-the-Air (JOTA). Modern technology offers Scouts the exciting opportunity to make friends in other countries without leaving home. (Info from www.arrl.org)

+++++



Amateur Radio at the Alaska State Fair

For the first time, AARC has sponsored a booth at the Alaska State Fair. Reports from the volunteers say that it was a big success with well over 400 people stopping to learn how to get their license, how to renew, or just to say hello. The numbers are probably far greater as the log book alone showed almost 300 sign-ins and many folks did not bother to sign the log.

While there is always room for improvement much was accomplished and ham radio was demonstrated in many ways. The modes demonstrated were Packet, Echolink, APRS, VHF, UHF, Repeaters, Simplex, IRLP, and HF was discussed. John Lynn, KL7CY demonstrated satellite with a handtalkie and a handheld antenna. I think there was at least one more mode but I can't think of it at this time. We had ARES Emergency Kits displayed showing how Cross Band repeaters work and how we pack a portable packet station into a box. Ham radio videos were watched by prospective hams and great conversations were had by all.

Again, lets tell the story with pictures.



Judi Ramage, WL7DX





Data You Can Use:

Officers

President	Jim Larsen, AL7FS
Vice President	Randy Vallee, KL7Z
Secretary	Phil Mannie, KLØQW
Treasurer	Steve Jensen, KLØVZ
Trustee	Jim Feaster, KL7KB
Activities Chairman	Craig Bledsoe, KL4E
News Letter Editor	Jim Larsen, AL7FS
Membership Chairman	Fred Erickson KL7FE
Past-President	-

Three Year Board Members

Jim Wiley, KL7CC
Richard Block, KL7RLB
Lil Marvin, NL7DL

One Year Board Members

Pat Wilke, WL7JA
Jimmy Tvrdy, KL7CDG
Judi Ramage, WL7DX
Steve Gehring, NL7W
George Wilkinson, KL1JJ
Mike O'Keefe, KL7MD

AARC web page & Email contact addresses:

Homepage: <http://www.KL7AA.org/>
Email Reflector: KL7AA@QTH.NET
Webmaster: AL1G_ak@yahoo.com
President: JimLarsen2002@alaska.net
Membership: frederickson@iname.com
Newsletter: JimLarsen2002@alaska.net

News Letter Submissions, Information or corrections:

Submissions must be received 2 weeks before meeting
Email: JimLarsen2002@alaska.net
Mail: 3445 Spinnaker Drive, Anchorage 99516

Nets in Alaska:

The following nets are active in South-central Alaska:
 Alaska Sniper's Net 3.920 MHz 6:00 PM daily
 Alaska Bush Net 7.093 MHz 8:00 PM daily
 Alaska Motley Net 3.933 MHz 9:00 PM daily
 Alaska Pacific Net 14.292 MHz 8:00 AM M-F

ACWN (Alaska CW Net) 3534, 7042 Daily @ 0700 – 1000, and 1900 - 2400 Alaska Time - AL7N or KL5T monitoring.

Net Purpose: Formal NTS traffic via CW.

No Name Net 146.85/.25 repeater Sundays 8:00 PM
 Grandson of SSB Net 144.20 USB Mondays 8:00 PM local
 Big City Simplex Net 146.520, 446.0, & 52.525 FM

With Packet 145.01 Tuesdays 8:00 PM local

ARES net 147.27/87 103.5Hz - Thursdays at 8:00 PM local

PARKA net 147.30/90 Thursdays at 7:00 PM local

ERC VHF Net 147.27/87 103.5Hz – Sunday 7:30 PM local

ERC HF Net 3.880 MHz – Sunday 8:30PM local

Any AARC sponsored repeater, with or without an auto-patch, will always be open to all licensed amateur radio operators in the area who are authorized to operate on those frequencies.

Anchorage & Mat Valley Area Repeaters

KL7AA systems at Flattop Mt., 2,200 ft

146.94/34 MHz, 80 watts, autopatch, 141.3 Hz PL

224.94/223.34, 25 watts, no patch, no PL

444.70/449.70, 25 watts, autopatch, 141.3 PL

****147.27/87 MHz, no patch, Mount Susitna 103.5 Hz**

KL7CC, Anchorage Hillside, SCRC & QCWA

146.97/.37 MHz, 30 watts, autopatch, 103.5 Hz PL

KL7M Anchorage Hillside

147.21/.81 MHz, on IRLP, 97.4 Hz PL

KL7ION at Mt. Gordon Lyon, PARKA 3,940 ft

147.30/90, MHz - 80 watts, no patch, 141.3 Hz PL

KL7AIR Elmendorf AFB, EARS

146.67/.07, 107.2 Hz PL

KL7JFU, KGB road, MARA club

146.85/.25, autopatch, no PL

KL7DOB, Alcantra (Wasilla Armory)

146.64/.04, simplex patch, no PL

KL7DJE at Grubstake Peak, 4,500 ft. <down >

147.09/.69 MHz, 25 watts, no patch, 100 Hz PL

444.925/449.925, 10 watts, no patch, 141.3 Hz PL

KL3K, Girdwood

146.76/16 MHz, 25 watts, no patch, 97.4 Hz PL

South Central Area Simplex Frequencies

146.52 MHz Calling and Emergency frequency

147.57 / 447.57 (crossband linked) HF spotters & chat, 103.5 HZ PL

146.49 MHz Anchorage area simplex chat

146.43 MHz Mat Valley simplex chat

147.42MHz Peninsula simplex chat

VE Testing in the Valley – change

Valley VE testing sessions will be held at the Wasilla Red Cross, still at 7 pm on the fourth Saturday of each month unless it is a major holiday weekend. The address is 262 E Nelson St in Wasilla. Nelson Street is the extension of Bogard to the west from Main Street/Wasilla Fishhook, and the Red Cross is on the south side of Nelson about halfway from Main to Lucille. (eff. 9.25.04)

Internet Links, the favorites from our readers:

QRP and Hombrew Links <http://WWW.AL7FS.US>

AARC <http://www.KL7AA.org/>

SCRC <http://www.KL7G.org>

EARS <http://www.qsl.net/kl7air>

MARA <http://www.kl7jfu.com/>

Moose Horn ARC <http://www.alaksa.net/~kl7fg>

ARES <http://www.qsl.net/aresalaska>

KL7J <http://www.alaska.net/~buchholz>

Fairbanks AARC: <http://www.kl7kc.com/>

Yukon Amateur Radio Association:

<http://www.klondike.com/yara/index.html>

HAARP Project:

Amateur Radio Reference Library

<http://www.area-ham.org/library/libindex.html>

Hamradio: <http://www.hamrad.com/>

Solar Terrestrial Activity <http://209.130.27.95/solar/>

ARRL <http://www.arrl.org/>

Propagation Report Recording 566-1819

Please let us know if there are other clubs pages or good starting points that should appear here. Report dead links or bad info to JimLarsen2002@alaska.net.

+==+==+==+==+==+==+==+==+

NEWSLETTER ARTICLES; All articles from members and interested persons are very welcome. If you wish to submit any articles, jokes, cartoons, please have it typed or neatly handwritten. It can be submitted by mail, computer disk or E-mail to the newsletter editor at the address listed above. Submissions must be in the hands of the editor **no later than the 14 days prior** to the meeting or it may not be included.

+==+==+==+==+==+==+==+==+

Regular HAM Gatherings:

Alaska QRP Club, Third Friday - 7:00 PM: Hams with QRP (low power under 5 watts) and Homebrewing interests meet for a social meeting monthly. Meet at Denny's on DeBarr & Bragaw in the back room. Hungry QRPers start showing up about 6PM. Info contact Jim Larsen, AL7FS, JimLarsen2002@alaska.net or 345-3190.

Tuesdays Lunch, 11:30 AM: Join the gang for lunch and an eyeball QSO at the Royal Fork, "South, on Old Seward Highway. Attendance varies from 8 to 24 each week.

Thursdays Brunch, 10:30 AM: Brunch at Lily's on Tudor Road just East of Tony Romas. A great bunch of folks attend this one.

Saturdays Breakfast, 7:30 AM: Here is a good way to get started on the weekend. Come and meet with some of the locals and have a great breakfast at Phillips Restaurant, at the corner of Arctic and International. Great Fun.

+==+==+==+==+==+==+==+==+

THIS MONTH'S EVENTS

1st Friday each month - AARC general meeting - 7:00 PM in the Carr-Gottstein Building, on the APU Campus. Talk in will be on 147.30+ repeater.

1st Tuesday each month: VE License Exam 6:30 PM, at the Hope Cottage offices, 540 W International. Bring photo ID, copy of license (if any) and any certificates of completion.

1st Tuesday each month: EARS general meeting - 6:30PM in the club house/shack in the basement of Denali Hall (building 31-270) on Elmendorf AFB. Talk in on 147.67-repeater.

2nd Friday each month: SCRC general meeting at 7:00 PM at Denny's on Debarr & Bragaw. Talk in on 147.57 simplex.

2nd Saturday each month: VE License Exams at 2:00 PM. at Hope Cottage 540 W. International. Be sure to bring photo ID, copy of license (if any) and any certificates of completion.

2nd Saturday each month: PARKA Meeting at 11:00 AM. at Peggy's, across from Merrill Field.

3rd Tuesday each month: AARC Board meeting at 7:00 PM at Hope Cottage 540 W. International. All are invited and encouraged to attend.

3rd Friday each month: Alaska QRP Club. 7:00PM at Denny's on DeBarr in the back room. Info: Jim Larsen, 345-3190. Bring projects to share with the group. Some show up at 6:00PM to eat.

3rd Saturday each month: ARES General meeting 9:30AM to 12:00 PM. Call Phil Mannie (kl0qw@alaska.net) at 762-9590 for additional information. Also check for ARES Info at: <http://www.qsl.net/aresalaska/>

The last Friday each month: MARA meeting at 7PM Fire Station 61, located two blocks up Lucille Drive, from the Parks hwy. Talk-in help for the meeting can be acquired on either the 146.640 or 146.850 repeaters. Further details can be found by contacting Len Betts, KL7LB, lelbak@yahoo.com.

The last Saturday each month at 11:00 AM: Quarter Century Wireless Assoc - QCWA at the Royal Fork, South of Dimond on Old Seward Highway. You need not be a QCWA member to attend.

Who Do I Contact to Join AARC?

Fred Erickson KL7FE -
frederickson@iname.com

Phone number: 345-2181

Annual Dues are \$12 (prorated as appropriate)

Additional Member in same household is \$6

Full Time Student is no charge

Anchorage Amateur Radio Club, Inc
Post Office Box 101987
Anchorage, Alaska 99510-1987

PRSRT STD
U.S. Postage
PAID
Anchorage, AK
Permit No. 223



Jim Wiley, KL7CC, Mount Susitna Creator and Mastermind

Ask about Life Memberships